

CATALOG

P-5L

ABBOTT
ABBOTT
ABBOTT
ABBOTT
ABBOTT
ABBOTT
ABBOTT
ABBOTT
ABBOTT
ABBOTT
ABBOTT

RUBBER
COMPANY, INC.

LIQUID TRANSFER & ENVIRONMENTAL CLEAN-UP

CONTRACTOR PRICE LIST - FEBRUARY 2010



Serving the Liquid Transfer & Environmental Clean-Up Industry Since 1951



24-hour shipping available
on all catalogued items

**'We Sell
The Good Stuff'**
Why buy anything else?

1700 Nicholas Blvd.
ELK GROVE VILLAGE, IL 60007
(847) 952-1800
OUT OF STATE TOLL FREE
(800) 852-1855
FAX
(847) 952-0156

E-MAIL sales@abbottirubber.com
WEBSITE www.pumperhose.com



Unparalleled
Personalized Service

INDEX

Item	Page	Item	Page
Suction Hose	3	Couplers & Adapters	9
Sewer Cleaner Hose	6	Vacuum Tank Accessories	10
Sewer Cleaner Accessories	6	Water Hose	12
Municipal Vacuum Hose	7	Water Hose Accessories	13
Cam & Groove Couplings	8	Valves	13
Clamps	8	Safety Clothing & Equipment	14
Punch-Lock Clamp Tools	8	Terms & Conditions	15

PLASTIFLEX
Hose System Solutions



Kanaflex

GOODYEAR
ENGINEERED PRODUCTS



tigerflex

FLEXAUST



SUCTION HOSE

National 300 EPDM

Most popular all-weather suction hose. Black EPDM supported with a green polyethylene helix for abrasion resistance. Can be used for full vacuum service. 3" available in green, red or blue. Temperature range -40°F to 140°F.



Kanaflex

Application Code
Flexibility
Lightweight
Economical
Cold Temp Flex
Hi-Temp Resistance
Oil Resistance
Chemical Resistance
Grease Resistance
Handles Pressure

I.D.	W/P	Price 25 ft.	Price 30 ft.	Price 33 ft.	Price 35 ft.	Price Ft.
1-1/2"	50#	\$ 94.09	\$107.27	\$115.18	\$120.46	\$ 2.64
2"	50#	111.36	127.27	136.82	143.18	3.18
2-1/2"	50#	171.37	197.27	212.82	223.18	5.18
3"	45#	169.09	198.73	214.33	219.64	5.05
4"	40#	307.28	356.37	385.82	405.46	9.82
6"	25#	692.73	782.74	852.74	892.74	20.00

Assemblies include Aluminum Male & Female Quick Disconnect Couplings attached both ends.

★ Made in U.S.A.

Viking 220 RS

Versatile and flexible SBR rubber suction hose. Supported with a rigid plastic helix. Black in color. Temperature range -40°F to 140°F.



Kanaflex

Application Code
Flexibility
Lightweight
Economical
Cold Temp Flex
Hi-Temp Resistance
Oil Resistance
Chemical Resistance
Grease Resistance
Handles Pressure

I.D.	W/P	Price 25 ft.	Price 30 ft.	Price 33 ft.	Price 35 ft.	Price Ft.
1-1/2"	50#	\$166.82	\$194.55	\$211.18	\$222.27	\$ 5.55
2"	50#	195.46	228.18	247.82	260.91	6.55
2-1/2"	50#	264.55	309.09	335.82	353.64	8.91
3"	45#	304.09	356.37	387.73	408.64	10.45
4"	40#	473.19	555.46	604.82	637.73	16.45
6"	25#	974.56	-----	-----	-----	31.27

Assemblies include Aluminum Male & Female Quick Disconnect Couplings attached both ends.

★ Made in U.S.A.

Tiger Stripe 130 P

Most flexible suction hose available. Crushproof and lightweight. Yellow polyethylene with black ribs for abrasion resistance. Handles full vacuum. Temperature range -50°F to 140°F.



PLASTIFLEX
(thru 3" I.D.)

Application Code
Flexibility
Lightweight
Economical
Cold Temp Flex
Hi-Temp Resistance
Oil Resistance
Chemical Resistance
Grease Resistance
Handles Pressure

I.D.	W/P	Price 25 ft.	Price 30 ft.	Price 35 ft.	Price Ft.
1-1/2"	20#	\$160.00	\$189.37	\$212.73	\$ 5.27
2"	15#	181.82	211.82	241.82	6.00
3"	7#	326.82	383.64	440.44	11.36
4"	5#	559.55	659.10	758.64	19.91

Repair Kit Available - See Page 6

Assemblies include Aluminum Male & Female Quick Disconnect Couplings attached both ends.

★ Made in U.S.A.

Ambassador 165 B

Extremely flexible low temperature PVC construction with a rigid PVC spiral helix. Designed for sub zero applications. Will handle full vacuum. Clear with blue helix in color. Temperature range -40°F to 150°F.



tigerflex

Application Code
Flexibility
Lightweight
Economical
Cold Temp Flex
Hi-Temp Resistance
Oil Resistance
Chemical Resistance
Grease Resistance
Handles Pressure

I.D.	W/P	Price 25 ft.	Price 33 ft.	Price Ft.
1-1/2"	90#	\$85.00	\$103.18	\$ 2.27
2"	90#	111.36	133.18	3.18
2-1/2"	70#	169.09	209.82	5.09
3"	65#	192.73	240.73	6.00
4"	55#	332.28	418.82	10.82
6"	40#	735.92	-----	21.36

Assemblies include Aluminum Male & Female Quick Disconnect Couplings attached both ends.

★ Made in U.S.A.

SUCTION HOSE

Ranger 112-GR

Designed for general water suction and transfer service. Low cost green PVC, flexible, with a rigid PVC spiral helix for full vacuum. Also available in clear series 112-CL. Temperature range -10°F to 140°F.

Application Code							
Flexibility							
Lightweight							
Economical							
	I.D.	W/P	Price 25 ft.	Price 30 ft.	Price 33 ft.	Price 35 ft.	Price Ft.
Cold Temp Flex	1-1/2"	70#	\$ 64.55	\$ 71.82	\$ 76.18	\$ 79.09	\$ 1.45
Hi-Temp Resistance	2"	65#	88.64	100.00	106.82	111.36	2.27
Oil Resistance	2-1/2"	65#	150.00	171.64	184.62	193.27	4.33
Chemical Resistance	3"	60#	151.82	173.64	186.73	195.46	4.36
Grease Resistance	4"	50#	239.09	274.55	295.82	310.00	7.09
Handles Pressure	6"	40#	529.10	596.37	-----	663.64	13.45
	8"	25#	1499.00	-----	-----	-----	38.64



tigaflex
★ Made in U.S.A.

Assemblies include Aluminum Male & Female Quick Disconnect Couplings attached both ends.

Senator 140 SR

Similar in construction to our Ranger 112 Suction Hose with a braid reinforcement for pressure applications. Clear corrugated with an orange rigid PVC Helix. Temperature range -10°F to 140°F.

Application Code							
Flexibility							
Lightweight							
Economical							
	I.D.	W/P	Price 25 ft.	Price 30 ft.	Price 35 ft.	Price Ft.	
Cold Temp Flex	1-1/2"	110#	\$164.55	\$193.64	\$222.73	\$ 5.82	
Hi-Temp Resistance	2"	100#	206.82	241.82	276.82	7.00	
Oil Resistance	3"	100#	249.55	290.91	332.28	8.27	
Chemical Resistance	4"	75#	373.19	435.46	497.73	12.45	
Grease Resistance	6"	70#	826.83	953.65	1080.47	25.36	
Handles Pressure	8"	60#	1578.20	1787.29	1996.38	41.82	



Kanaflex
★ Made in U.S.A.

Assemblies include Aluminum Male & Female Quick Disconnect Couplings attached both ends.

Admiral 150 U

New clear flexible urethane hose reinforced with a rigid PVC spiral helix. Handles grease, oils, lubricants and degreasers. Temperature range -40°F to 150°F.

Application Code							
Flexibility							
Lightweight							
Economical							
	I.D.	W/P	Price 25 ft.	Price 33 ft.	Price Ft.		
Cold Temp Flex	1-1/2"	85#	\$257.73	\$331.19	\$ 9.18		
Hi-Temp Resistance	2"	65#	393.19	508.23	14.45		
Oil Resistance	2-1/2"	65#	488.64	674.82	19.18		
Chemical Resistance	3"	65#	747.28	972.74	28.18		
Grease Resistance							
Handles Pressure							



tigaflex
★ Made in U.S.A.

Assemblies include Aluminum Male & Female Quick Disconnect Couplings attached both ends.

Black Jack 180 AR

Designed to handle abrasive applications where a flexible and lightweight hose is required for vacuum trucks. Static dissipating SBR with a rigid PVC helix. Temperature range -40°F to 140°F.

Application Code							
Flexibility							
Lightweight							
Economical							
	I.D.	W/P	Price 25 ft.	Price 30 ft.	Price 35 ft.	Price Ft.	
Cold Temp Flex	1-1/2"	45#	\$125.91	\$145.46	\$165.00	\$ 3.91	
Hi-Temp Resistance	2"	40#	197.73	230.91	264.09	6.64	
Oil Resistance	2-1/2"	35#	244.09	284.55	325.00	8.09	
Chemical Resistance	3"	35#	310.91	364.55	418.19	10.73	
Grease Resistance	4"	30#	498.19	585.46	972.73	17.45	
Handles Pressure	6"	30#	1047.28	1218.19	1389.10	34.18	
	8"	30#	1956.38	2241.11	2526.39	56.95	



Kanaflex
★ Made in U.S.A.

Assemblies include Aluminum Male & Female Quick Disconnect Couplings attached both ends.

SUCTION HOSE

All-Star 240 SW

Application Code

Flexibility
Lightweight
Economical
Cold Temp Flex
Hi-Temp Resistance
Oil Resistance
Chemical Resistance
Grease Resistance
Handles Pressure

Chemical transfer hose handles 98% of all known chemicals. UHMW polyethylene tube. Reinforced with fabric and steel wire helix. Green rubber cover. Will handle full vacuum. Temperature range -40°F to 150°F.

I.D.	W/P	Price 25 ft.	Price 30 ft.	Price 35 ft.	Price Ft.
1-1/2"	200#	\$387.28	\$459.10	\$530.91	\$14.36
2"	200#	620.46	520.01	601.37	16.27
3"	200#	590.46	820.01	949.55	25.91
4"	200#	961.83	1141.83	1321.83	36.00



★ Made in U.S.A.

Assemblies include Aluminum Male & Female Quick Disconnect Couplings attached both ends.

Texan 400 SW

Application Code

Flexibility
Lightweight
Economical
Cold Temp Flex
Hi-Temp Resistance
Oil Resistance
Chemical Resistance
Grease Resistance
Handles Pressure

Black Nitrile tube and Nitrile/PVC cover for applications requiring maximum oil resistance. Reinforced with fabric and steel wire helix for full vacuum service. Temperature range -35°F to 200°F.

I.D.	W/P	Price 25 ft.	Price 30 ft.	Price 35 ft.	Price Ft.
1-1/2"	150#	\$248.64	\$292.73	\$336.82	\$ 8.82
2"	150#	281.82	331.82	381.82	10.00
2-1/2"	150#	403.19	475.46	475.76	14.45
3"	150#	438.19	596.37	596.37	15.82
4"	150#	580.01	683.64	787.28	20.73



★ Made in U.S.A.

Assemblies include Aluminum Male & Female Quick Disconnect Couplings attached both ends.

Versafuel™ 420 SW

Application Code

Flexibility
Lightweight
Economical
Cold Temp Flex
Hi-Temp Resistance
Oil Resistance
Chemical Resistance
Grease Resistance
Handles Pressure

New oil resistant bio-diesel transfer hose. Handles up to 60% aromatic content. Steel wire and fabric reinforced for full vacuum. Temperature range -30°F to 180° F.

I.D.	W/P	Price 25 ft.	Price 33 ft.	Price Ft.
1-1/2"	150#	\$388.19	\$503.39	\$14.40
2"	150#	420.46	544.82	15.55
2-1/2"	150#	520.01	673.02	19.13
3"	150#	633.64	822.74	23.64
4"	150#	777.28	1006.23	28.62



★ Made in U.S.A.

Assemblies include Aluminum Male & Female Quick Disconnect Couplings attached both ends.

Royalflex® 360 SW

Application Code

Flexibility
Lightweight
Economical
Cold Temp Flex
Hi-Temp Resistance
Oil Resistance
Chemical Resistance
Grease Resistance
Handles Pressure

A multi-purpose hard-wall suction and discharge hose for use in construction, and industrial applications. Integral tube and cover reinforced with interwoven polyester and helical steel wire. Temperature range -20°F to 180°F.

I.D.	W/P	Price 25 ft.	Price 30 ft.	Price 35 ft.	Price Ft.
1-1/2"	200#	\$369.09	\$437.28	\$505.46	\$13.64
2"	200#	543.19	645.46	747.73	20.45
2-1/2"	200#	610.01	723.64	837.28	22.73
3"	200#	770.01	915.46	1060.92	29.09
4"	200#	1027.74	1220.92	1414.11	38.64



★ Made in U.S.A.

Assemblies include Aluminum Male & Female Quick Disconnect Couplings attached both ends.

SUCTION HOSE

Strain Relief Hose

A multi-purpose hard-wall suction and discharge hose for use between the tank and the suction hose. Helps reduce stress, kinking and breaking. Black Rubber with wire helix or Blue Heavy-Duty with multiple wires and polyester reinforcement.

Size	Black Rubber 3 Ft. Assembly	Blue Heavy Duty 3 Ft. Assembly
3" I.D. x 3 Ft.	\$ 70.00	\$ 130.00
4" I.D. x 3 Ft.	105.00	178.00



Assemblies include Aluminum Male & Female Quick Disconnect Couplings attached both ends. Custom lengths also available.

SEWER CLEANER HOSE

Predator® 2500/3000

High pressure 2500# orange or 3000# blue thermoplastic sewer cleaner hose. Lightweight and flexible. Polyester tube and urethane cover. Temperature range -40°F to 135°F.

I.D.	W/P	Color	Available Lengths (Ft)	Price Ft.
3/4"	2500#	Orange	400/500/600	\$ 3.85
3/4"	3000#	Blue	300/400/500/600/800	4.71
1"	2500#	Orange	300/400/500/600/700/800	4.44
1"	3000#	Blue	300/400/500/600	5.64

Predator® Leader Assembly

I.D.	W/P	Color	Price x 10 Ft. Length
3/4"	3000#	Blue	\$ 81.82
1"	3000#	Blue	100.91



★ Made in U.S.A.

Couplings are NPT Male x NPT Male attached both ends. Other configurations available.

4000# Lateral Jetting Hose

High pressure 4000# green thermoplastic lateral jetting hose. Lightweight and flexible. Synthetic tube and urethane cover. Temperature range -40°F to 122°F.

Size I.D.	W/P	Color	Available Lengths (Ft)	Price/Ft.
1/8"	4000#	Green	50/75/100/150/200	\$ 1.05
3/16"	4000#	Green	50/75/100/150/200	1.12
1/4"	4000#	Green	100/150/200/250/300/400/500	1.40
3/8"	4000#	Green	100/150/200/250/300	1.98
1/2"	4000#	Green	400/500/600	3.68
3/8"	4000#	Green	400/500/600	\$ 4.00
1/2"	4000#	Green	400/500/600	4.09
5/8"	4000#	Green	400/500/600	4.36



★ Made in U.S.A.

Couplings are NPT Male x NPT Male attached both ends. Other configurations available.

Tiger-Tail Hose Guide



Size I.D.	Price/Ea 3 Ft. Assy.
2" x 3 Ft.	\$ 40.00
3" x 3 Ft.	53.64



★ Made in U.S.A.

Assembly includes Rope and Clamp.

Tiger-Tail Hose Repair Kit

Includes 1 Plastic Cuff and 1 Tube of Glue to Repair a Plastiflex Hose End.

Size I.D.	Price/Ea
1-1/2"	\$ 31.50
2"	32.75
3"	43.75



★ Made in U.S.A.

MUNICIPAL VACUUM HOSE

Municipal Vacuum Hose

Extra heavy duty hose for Vector Trucks.
1/4" thick NR/SBR tube for abrasion resistance.
SBR rubber cover.

Smooth Tube & Corrugated Cover

Size I.D.	Length	End Configuration	Price/Ea
8"	62"	Soft Cuffs Both Ends	Price on Application
8"	66"	Soft Cuffs Both Ends	Price on Application
8"	127"	Soft Cuffs Both Ends	Price on Application

Corrugated Tube & Cover

Size I.D.	Length	End Configuration	Price/Ea
8"	30"	Enlarged One End	Price on Application
9"	60"	Enlarged Both Ends	Price on Application
12"	100"	Soft Cuffs Both Ends	Price on Application



★ Made in U.S.A.

Municipal Leaf Collection Hose

Medium weight hose for heavy duty leaf collection
and light-duty catch basin use.
NR/SBR Tube and a Neoprene cover.

Corrugated Tube & Cover

Size I.D.	Length	End Configuration	Price/Ea
12"	120"	Soft Cuffs Both Ends	Price on Application
16"	120"	Soft Cuffs Both Ends	Price on Application



★ Made in U.S.A.

Grass & Leaf Vacuum Hose

Light weight and flexible clear polyurethane hose with a coated steel wire helix.
Designed for high abrasion resistance applications. Also available in black.
Temperature Range: -65°F to 225°F.

Size I.D.	Length	Price/Ea	Clamp/Ea
8"	10 Ft.	\$ 226.25	\$ 11.75
10"	10 Ft.	316.00	14.50
12"	10 Ft.	350.00	18.00
14"	10 Ft.	563.50	----
16"	10 Ft.	705.75	----
18"	10 Ft.	815.00	----



FLEXAUST[®]

★ Made in U.S.A.

Rubber - Grass & Leaf Vacuum Hose

Flexible, black rubber duct hose designed for grass, leaf and dust collection.
Smooth interior and corrugated cover with a yellow outer helix for abrasion resistance.
Temperature Range: -40°F to 158°F.

Size I.D.	Length	Price/Ft.	Clamp/Ea
4"	50 Ft.	\$ 10.50	\$ 5.00
5"	50 Ft.	14.25	5.50
6"	50 Ft.	16.75	6.00
8"	50 Ft.	24.00	7.00
10"	50 Ft.	29.75	8.75
12"	50 Ft.	40.50	9.75



Kanaflex

★ Made in U.S.A.

CAM & GROOVE COUPLINGS



Aluminum

Size	Part 'A' Female Adapter	Part 'B' Male Adapter	Part 'C' Hose Shank Coupler	Part 'D' Female Coupler	Part 'E' Hose Shank Adapter	Part 'F' Male Adapter	Part 'DC' Dust Cap	Part 'DP' Dust Plug
1-1/2"	\$ 3.68	\$ 8.96	\$ 9.04	\$ 9.46	\$ 4.50	\$ 4.87	\$ 8.35	\$ 3.56
2"	4.42	10.11	10.51	12.10	5.65	5.44	8.96	4.42
2-1/2"	9.78	17.22	17.22	17.84	10.60	12.60	15.25	8.64
3"	8.80	16.33	16.65	17.90	10.85	11.45	16.40	7.64
4"	13.96	22.38	26.18	24.64	17.84	17.55	21.07	12.19
6"	35.71	61.24	77.51	71.38	56.46	46.69	56.47	31.42
8"	146.36	-----	286.36	-----	170.55	-----	231.75	-----

Stainless Steel - Type 304

1-1/2"	\$ 18.32	\$ 36.28	\$ 29.28	\$ 31.48	\$20.36	\$ 23.26	\$ 24.15	\$ 13.35
2"	20.06	35.35	38.72	38.40	30.60	30.28	28.18	19.58
2-1/2"	35.72	48.75	54.25	54.25	44.36	46.05	43.38	29.38
3"	39.46	69.02	75.16	73.02	61.92	61.60	55.45	35.30
4"	73.00	100.22	112.75	109.62	97.10	107.28	76.22	57.42
6"	151.38	216.28	245.35	221.32	219.24	232.82	177.48	159.74

Polypropylene

1-1/2"	\$ 4.18	\$ 12.09	\$ 12.09	\$ 13.13	\$ 4.51	\$ 4.29	\$ 11.45	\$ 3.16
2"	5.05	14.51	14.64	15.02	4.67	4.67	14.13	4.04
3"	9.16	22.27	22.55	23.58	9.05	9.95	20.75	7.76
4"	19.75	38.18	39.49	41.35	17.96	17.96	33.96	13.45

HOSE CLAMPS & TOOLS

Hose Clamps



Center Punch Clamp



Heavy Duty T-Bolt Clamp



Power Lock Clamp

Clamp Style	1-1/2"	2"	2-1/2"	3"	4"	6"	8"
Center Punch	\$ 1.20	1.55	1.80	2.00	2.25	3.10	-----
Heavy Duty T-Bolt	4.45	4.95	6.80	6.85	8.25	12.75	14.00
Power Lock	-----	11.09	11.82	12.70	15.00	20.45	24.82

Please specify hose O.D. when ordering.

Clamp Tools



Description	Price/Ea
H/D Center Punch Tool - Imported	\$ 178.00
Intermediate Center Punch Tool	126.00
Mallet for Center Punch Tools	61.20

For use with Center Punch Clamps.

COUPLERS & ADAPTERS

Spool Adapter

Size	1-1/2"	2"	3"	4"	6"
1-1/2"	\$ 13.82	38.65	-----	-----	-----
2"	38.65	16.82	25.07	91.64	-----
3"	-----	25.07	25.45	37.80	-----
4"	-----	91.64	37.80	35.45	204.50
6"	-----	-----	-----	204.50	217.75



ADAPTER X ADAPTER

Spool Coupler

Size	2"	3"	4"	6"
2"	\$ 45.00	50.90	-----	-----
3"	50.90	58.18	65.00	-----
4"	-----	65.00	68.00	185.91



COUPLER X COUPLER

Reducer 'C' x 'A' Coupling

Size	1-1/2"	2"	3"	4"	6"
2"	\$ 35.00	-----	36.55	100.64	-----
3"	78.73	34.22	-----	60.33	210.91
4"	-----	58.00	58.70	-----	162.82
6"	-----	-----	178.09	109.09	-----



COUPLER X ADAPTER

45° 'C' x 'A' Coupling

Size	Price/ Ea
2"	\$ 113.42
3"	159.09
4"	210.69
6"	477.28



COUPLER X ADAPTER

90° 'C' x 'A' Coupling

Size	Price/Ea
1-1/2"	\$ 99.27
2"	79.91
3"	125.46
4"	201.15
6"	422.73



COUPLER X ADAPTER

90° Part 'C' Shank Coupling

Size	Price/Ea
3"	\$ 89.40
4"	167.95
6"	458.65



COUPLER X SHANK

Reducing Part 'C' Coupling

Size	2"	3"	4"
3"	\$ 56.26	-----	49.10
4"	-----	53.20	-----



COUPLER X SHANK

Inline Sight Glass Adapter

Coupler x Adapter (Shown)		Adapter x Adapter		Coupler x Coupler	
Size	Price	Size	Price	Size	Price
3" x 3"	\$ 261.15	3" x 3"	193.97	3" x 3"	325.42
4" x 4"	261.15	4" x 4"	193.97	4" x 4"	325.42
3" x 4"	261.15	3" x 4"	193.97	4" x 3"	325.42
4" x 3"	261.15				



Poly-Hose Handle Plug

Size	Price/Ea
2"	\$ 12.73
3"	20.00
4"	30.00



POLYPROPYLENE

Poly-Hose Handle Cap

Size	Price/Ea
2"	\$ 18.18
3"	29.09
4"	34.55



POLYPROPYLENE

Poly Safety-Lock

Size	Price/Ea
2"	\$ 3.27
3"	3.64
4"	4.55



POLYPROPYLENE

Gaskets



Size	Gaskets	Extra Thick
1-1/2"	\$ 1.00	\$ 1.75
2"	1.00	1.80
2-1/2"	1.15	2.25
3"	1.20	2.25
4"	1.65	2.85
6"	4.55	-----
8"	20.50	-----

Replacement Cam Arm Kit

Size	Price/Ea
1-1/2"	\$ 4.90
2"	4.90
3"	7.21
4"	7.21
*6"	28.49
*8"	28.49



KIT INCLUDES (1) CAM ARM, PIN, RING & SAFETY PIN
*CAM ARM ONLY

Aluminum Duckbill

Size	Price/Ea
2"	\$ 159.09
3"	159.09
4"	186.37



VACUUM TANK ACCESSORIES

Vacuum Pumps

Vacuum Pump without Filter	Part No.	Price/Ea
PN23 Vacuum Pump w/ 1-3/8" Shaft 4.5 H/P, 92 CFM, 21 PSI Maximum	VP-PN23	\$ 2,061.44
PN33 Vacuum Pump w/ 1-3/8" Shaft 6.0 H/P, 128 CFM, 21 PSI Maximum	VP-PN33	\$ 2,229.57
PN58 Vacuum Pump w/ 1-3/8" Shaft 9.0 H/P, 230 CFM, 21 PSI Maximum	VP-PN58	\$ 2,867.76
R260 Vacuum Pump w/ 1-3/8" Shaft 18.0 H/P, 304 CFM, 21 PSI Maximum	VP-R260	\$ 4,660.41

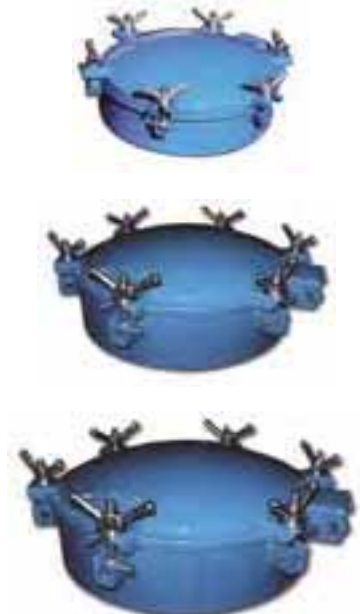
- Air Cooled
- 28" Maximum Vacuum
- Forced Oil Lubrication
- Built-in Oil Reservoir



Ask about our complete line of repair parts and accessories.

Manways

17" Manway - 1/4" Base	Part No.	Price/Ea
17" Manway w/ 6" Neck, 4 Wing Nut Lid	VP-1010-0060	\$ 314.55
17" Manway w/ 12" Neck, 4 Wing Nut Lid	VP10100064	485.46
20" Manway - 1/4" Base	Part No.	Price/Ea
20" Manway w/ 6" Neck, 6 Wing Nut Lid	VP-1010-7000	\$ 479.55
20" Manway w/ 12" Neck, 6 Wing Nut Lid	VP-1010-7400	560.91
20" Manway w/ 6" Neck, 5 Wing Nut Lid - Left Hand Hinge	VP-1010-7003	421.37
21" Manway - 1/4" Base	Part No.	Price/Ea
21" Manway w/ 6" Neck, 1/4" Base - 5 Wing Nut Lid - Left Hand Hinge	VP-1010-0024	\$ 463.19
21" Manway w/ 12" Neck, 1/4" Base - 5 Wing Nut Lid - Left Hand Hinge	VP-1011-0024	513.64
21" Manway w/ 6" Neck, 1/4" Base - 5 Wing Nut Lid - Right Hand Hinge	VP-1010-0027	463.19
21" Manway w/ 12" Neck, 1/4" Base - 5 Wing Nut Lid - Right Hand Hinge	VP-1011-0027	513.64
21" Manway w/ 6" x 1/4" Neck, 6 Wing Nut Lid	VP-1010-0020	476.82
21" Manway w/ 12" x 1/4" Neck, 6 Wing Nut Lid	VP-1010-0021	564.55
25" Manway - 1/4" Base	Part No.	Price/Ea
25" Manway w/ 6" Neck, 6 Wing Nut Lid	VP-1010-8000	\$ 536.82
25" Manway w/ 12" Neck, 6 Wing Nut Lid	VP-1010-0084	635.92
25" Manway w/ 6" Neck, 5 Wing Nut Lid - Left Hand Hinge	VP-1010-8200	523.19
25" Manway w/ 12" Neck, 5 Wing Nut Lid - Left Hand Hinge	VP-1010-0085	615.01



Ask about our complete line of repair parts and accessories.

Oil Catch Mufflers

Vertical Oil Catch Mufflers	Part No.	Price/Ea
1-1/2" (130 CFM) 1.5" NPT	VP-1002-0150	\$ 303.64
2" (130 CFM) 2" tube	VP-1002-0200	308.18
2" (130 CFM) 2" NPT	VP-1002-0201	327.73
Horizontal Oil Catch Mufflers	Part No.	Price/Ea
2" (350 CFM)*	VP-1001-0002	\$ 532.28
3" (350 CFM)*	VP-1001-0000	532.28
4" High Capacity(522 CFM)*	VP-1001-0500	854.10



*Also available with threads
Ask about our complete line of repair parts and accessories.

Final Filters

Final Filters (400 CFM)	Part No.	Price/Ea
1-1/2" w/ 1-1/2" Female threads	VP-1007-1001	\$ 472.28
2" w/ 2" Female threads	VP-1007-1002	472.28
3" w/ 3" Female threads	VP-1007-1003	472.28
Final Filters (700 CFM)	Part No.	Price/Ea
With 4" Threaded nipples	VP-1007-0004	\$ 557.28
With 6" Threaded nipples	VP-1007-0007	700.01
With 4" Openings	VP-1007-0005	524.55
With 6" Openings	VP-1007-0008	602.73



Ask about our complete line of repair parts and accessories.

VACUUM TANK ACCESSORIES

Primary Shutoff

12" Primary Shutoff

- 12" Primary w/ 6" Neck & 3" Opening, (450 CFM)
- 12" Primary w/ 6" Neck & 4" Opening, (525 CFM)
- 12" Primary w/ 6" Neck & 6" Threaded Opening (950 CFM)

Part No.	Price/Ea
VP-1014-0000	\$ 431.82
VP-1014-0012	439.10
VP-1014-0015	714.10



12" Low Profile Primary Shutoff

- 12" Low Profile Primary Shutoff w/ 6" Neck equipped 3" pipe with opening, (450 CFM)
- 12" Low Profile Primary Shutoff w/ 6" Neck equipped 3" NPT threads, (450 CFM)
- 12" Low Profile Primary Shutoff w/ 6" Neck equipped 4" pipe with opening, (450 CFM)
- 12" Low Profile Primary Shutoff w/ 6" Neck equipped 4" NPT threads, (525 CFM)
- 12" Low Profile Primary Shutoff w/ 6" Neck equipped 4" pipe & opening includes 10" ball cage & S/S Ball (950 CFM)

Part No.	Price/Ea
VP-1014-0900	\$ 512.73
VP-1014-0901	540.01
VP-1014-0910	570.01
VP-1014-0911	609.10
VP-1014-0914	639.10



Ask about our complete line of repair parts and accessories.

Secondary Shutoff

Secondary Shutoff

- 2 Gallon Horizontal Shutoff, 2" Opening, (400 CFM)
- 10 Gallon Horizontal Shutoff, 3" Opening, (250 CFM)

Part No.	Price/Ea
VP-1008-0102	\$ 718.19
VP-1008-0500	490.91

Plastic Secondary Shutoff Valves

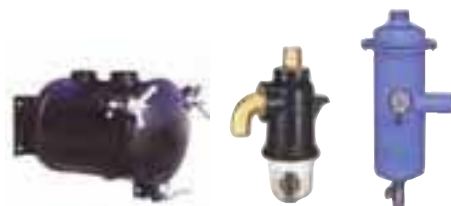
- 2" Plastic Secondary Shutoff, (247 CFM)
- 3" Plastic Secondary Shutoff, (353 CFM)

Part No.	Price/Ea
VP-1147-0000-MZ	\$ 287.73
VP-1148-0000-MZ	393.19

2, 4 and 5 Gallon Secondary Shutoff Valves

- 2 Gallon Secondary Shutoff, 2" Opening, (130 CFM)
- 2 Gallon Secondary Shutoff, 1-1/2" threads, (130 CFM)
- 4 Gallon Secondary Shutoff, 3" Opening, (250 CFM)
- 5 Gallon Secondary Shutoff, 3" Opening, (350 CFM)

Part No.	Price/Ea
VP-1151-0000	\$ 321.82
VP-1151-0015	329.09
VP-1152-0000	428.19
VP-1153-0000	446.82



Ask about our complete line of repair parts and accessories.

Valves

Brass Pressure Valve

- 1-1/4" Brass Pressure Valve (155 CFM)
- 1-1/2" Brass Pressure Valve (230 CMF)
- 2" Brass Pressure Valve (300 CFM)

Part No.	Price/Ea
VP-1048-0000-MZ	\$ 46.82
VP-1049-0000-MZ	57.27
VP-1050-0000-MZ	69.09



Brass Vacuum Relief Valve

- 1-1/2" Brass Vacuum Relief Valve (370 CFM)

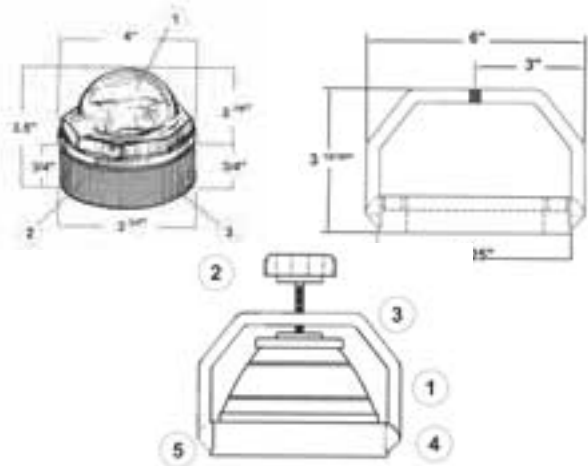
Part No.	Price/Ea
VP-1035-0000-MZ	\$ 40.91

Ask about our complete line of repair parts and accessories.

Sight-Eyes & Accessories

Sight Eyes - Complete

	Part No.	Price/Ea
2" Plastic Sight Eye, Complete (70 PSI)	VP-1093-0000	\$ 12.11
3" Plastic Sight Eye, Complete (70 PSI)	VP-1093-0001	21.44
5" Glass Sight Eye, Complete - Steel (70 PSI)	VP-1092-0000	72.00
5" Glass Sight Eye, Complete - Aluminum (70 PSI)	VP-1092-0100	102.35
2" Stainless Steel Sight Eye, Complete (70 PSI)	VP-1093-0008	49.06
3" Stainless Steel Sight Eye, Complete (70 PSI)	VP-1093-0009	75.69



2" & 3" Replacement Parts

	Part No.	Price/Ea
1 2" Glass and O-Ring	VP-1093-0002	\$ 6.60
1 3" Glass and O-Ring	VP-1093-0003	15.65
2 2" Weldment Base	VP-1093-0004	12.80
2 3" Weldment Base	VP-1093-0005	17.93
3 2" O-Ring	VP-1093-0006	.49
3 3" O-Ring	VP-1093-0007	.73

5" Steel Replacement Parts

	Part No.	Price/Ea
1 New Style 5" Sight Eye Glass Bowl	VP-1092-0001-NS	\$ 6.60
2 5" Sight Eye Hand Wheel	VP-1092-0002	13.00
3 New Style 5" Sight Eye Plate	VP-1092-0003-NS	9.04
4 5" Sight Eye Steel Weldment	VP-1092-0004	69.82
4 5" Sight Eye Aluminum Weldment	VP-1092-0026	91.75
5 5" Sight Eye Gasket	VP-1083-0000	1.36

VACUUM TANK ACCESSORIES

Vacuum Pump Oil

Description	Part No.	Price/Ea
1 Gallon Wintergreen Scented Vacuum Pump Oil	VP-1000-OILVAC	\$ 58.76



6 Gallons per case, Shipped by case quantity only.

Vacuum/Pressure Gauges

Description	Part No.	Price/Ea
4.5" Standard Gauge	VP-1025-0001	\$ 27.55
2-1/2" Liquid Filled Gauge	VP-1026-0000	28.67
4" Liquid Filled Gauge	VP-1027-0000	80.95



All Gauges rated at 30 PSI.

WATER HOSE

Rubber Water Hose Assemblies

Moderate pressure rubber water hose assembly. Includes machined brass GHT couplings thru 3/4", NPSH couplings 1" thru 1-1/2".

Size I.D.	Working Pressure	Price/50 Ft. w/ M&F Couplings
5/8"	150#	\$ 56.36
3/4"	150#	63.18
1"	150#	102.18
1-1/2"	150#	197.73



★ Made in U.S.A.

Custom lengths also available.

Wash-Down Hose

Lay flat water discharge hose featuring a double jacket for greater abrasion resistance and pressure service. Black SBR tube and double jacket all polyester cover.

Size I.D.	Price 50 Ft. w/ Couplings
1-1/2"	\$ 143.50
2"	165.50
2-1/2"	209.00



Assemblies include Male & Female NPSH or NST couplings attached.

Neptune™ Pressure Washer Hose

High pressure water hose assembly for use with pressure washers. Handles hot water up to 200° F. Reinforced with steel wire braid. Available in black, blue or gray cover.

Size I.D.	Working Pressure	Price 50 Ft. Assy.
1/4"	3000#	\$ 86.36
3/8"	3000#	88.64
3/8"	4500#	143.64
3/8"	6000#	252.28



★ Made in U.S.A.

Assemblies include Male & Male Swivel and Bend Restrictors both ends. Custom lengths also available.

Galvanator™ Pressure Washer Hose

High pressure water hose assembly for use on pressure washers. Handles hot water up to 200° F. Reinforced with galvanized steel wire braid.

Size I.D.	Working Pressure	Price 50 Ft. Assy.
3/8"	3000#	\$ 245.00



★ Made in U.S.A.

Assemblies include Male & Male Swivel and Bend Restrictors both ends. Custom lengths also available.

Water Blast Hose

Extreme high pressure water blast hose. Oil and abrasion resistant tube and cover. 12,000# working pressure. Temperature range -40°F to 250°F.

Size I.D.	Working Pressure	Price 50 Ft. Assy.
3/8"	12,000#	\$ 485.00
1/2"	12,000#	495.00



Assemblies include NPT Males on both ends.

Nitrile Discharge Hose

Black oil-resistant lay-flat discharge hose for many applications. Reinforced for pressure applications.

Size I.D.	Working Pressure	Price/ Ft.
1-1/2"	200#	\$ 4.56
2"	200#	5.10
2-1/2"	175#	7.44
3"	175#	8.04
4"	150#	10.58
6"	150#	17.88
8"	150#	29.00



Sold in 50 or 100 Ft. lengths only. Hose can be coupled to your requirements.

PVC Water Discharge Hose

Discharge Hose	1-1/2"	2"	2-1/2"	3"	4"	6"	8"
Blue PVC	\$.74	\$.76	\$ 1.32	\$ 1.34	\$ 2.18	\$ 3.80	\$ 7.20
Red Heavy Duty PVC	1.64	1.96	3.20	2.74	4.02	6.90	18.00
Yellow Extra Heavy Duty PVC	3.12	3.72	5.14	6.22	8.98	15.04	----



Hose can be coupled to your requirements.

WATER HOSE ACCESSORIES

Brass Hydrant Adapters

Size (Thread)	Price/Ea
2-1/2" NST x GHT	\$ 29.50
2-1/2" NST x 1" NPSH	32.50
2-1/2" NST x 1-1/2" NPSH	42.00
2-1/2" NST x 2" NPSH	42.00
4-1/2" NST x 2-1/2" NPSH	253.80



Adjustable Hydrant Wrench

Price/Ea
\$ 38.70



Lexan Adjustable Nozzle

Size (Thread)	Price/Ea
1-1/2" NPSH or NST	\$ 32.50
2" NPSH	60.15
2-1/2" NST	171.20



Brass Adjustable Nozzle

Size (Thread)	Price/Ea
1-1/2" NPSH or NST	\$ 126.45
2" NPSH	291.50
2-1/2" NST	280.00



VALVES

Brass Piston Valves

Description	4"	6"	8"
NPT x NPT	\$186.37	305.45	----
Flange x Flange	281.82	335.00	827.28
NPT x Flange	----	337.28	----
Replacement Parts	4"	6"	8"
Piston Handle	\$ 64.27	64.27	66.46
Air Cylinder	170.91	352.73	370.91
Hydraulic Cylinder	285.46	285.46	----
Double Action Hydraulic Cylinders	245.46	245.46	245.46
Gasket Kit for Air Cylinder	67.27	67.27	67.27



Please inquire about repair or replacement parts.

Poly Bolted Ball Valves

Description	1-1/2"	2"	3"	4"
Full Port - Bolted	\$ 40.90	54.55	136.36	----
Standard - Bolted	----	40.90	80.00	300.00
Replacement Handle	\$ 7.50	11.80	11.80	11.80
Locking Handle	----	22.73	22.73	22.73



Please inquire about repair or replacement parts.

Brass Lever Action Valves

Description	2"	3"	4"	6"
NPT x NPT	\$ 94.55	180.91	259.09	509.10
Replacement Handle	24.55	44.55	44.55	44.55



Please inquire about repair or replacement parts.

Poly Bolted Nozzle Valves

Description	1-1/2"	2"
Poly-Nozzle Valve w/ Handle	\$ 50.00	73.64



Please inquire about repair or replacement parts.

Full Port Brass Ball Valves

Description	2"	3"	4"
NPT x NPT	\$ 54.09	170.91	252.73



Other sizes also available.

Poly Single Union Valves

Description	1-1/2"	2"
NPT x NPT	\$ 30.00	39.09



SAFETY CLOTHING & EQUIPMENT

PVC Rainsuits

Yellow PVC Rainsuit

Small, Medium, Large, X-Large
XX-Large, XXX-Large

Price/Each
\$11.50
12.50



Yellow PVC Reinforced Rainsuit

Small, Medium, Large, X-Large
XX-Large, XXX-Large

\$ 16.50
17.50

Strap Boots

17" Black/Yellow Strap Boots

Sizes 7-16

Price
Pair
\$ 36.50



We carry a complete line of boots.

HardHats

Description

Price/Each

4 Point Suspension
Ratchet Suspension

\$ 12.00
19.50



Ratchet suspension available in
Blue, Green, Orange, Red, White or Yellow

Safety Vests

Description

Price/Ea

Plain
1" Safety Stripe
4-1/2" ANSI Stripe

\$ 7.20
12.75
23.50



Knitted polyester mesh, Orange or Lime color - Open Style

Traffic Cones

Description

Price/Ea

18" Traffic Cone
28" Traffic Cone
36" Traffic Cone

\$ 14.50
23.50
32.00



High visibility orange - PVC construction

Traffic Flags

Description

Price/Ea

18" x 18" Nylon Traffic Flag
18" x 18" Mesh Traffic Flag
24" x 24" Nylon Traffic Flag

\$ 5.75
5.75
7.50



36" wood staff with orange flag.

Chemical Gloves

Description

Price/Pair

14" Gauntlet Glove
18" Gauntlet Glove

\$ 18.18
22.27



Cotton Gloves

Description

Price/Pair

8 Oz. Knit Wrist Gloves
8 Oz. Knit Wrist Gloves
(Plastic Dots)

\$ 1.25
1.90



Drivers Gloves

Description

Price/Pair

Pigskin Gunn Cut
Drivers Gloves

\$ 9.00



PVC Textured Grip Gloves

Description

Price/Pair

12" Gauntlet Gloves
14" Gauntlet Gloves

\$ 3.25
4.00



Leather Palm Gloves

Description

Price/Pair

Leather Double
Palm Gloves

\$ 3.50



Orange Insulated Grip Gloves

Description

Price/Pair

Smooth with Safety
Cuff (Pictured)
12" Gauntlet Style

\$ 8.18
9.55



NOTES

**We Sell
The Good Stuff
Why buy anything else?**

TERMS AND CONDITIONS

- Terms:** We accept Visa, MasterCard, American Express and Discover cards. For those customers who purchase on a regular basis, credit terms can be established.
- Minimum Order:** \$25.00 exclusive of any freight.
- F.O.B.:** All shipments are F.O.B. Elk Grove Village, Illinois, shipped prepaid and add to invoice unless otherwise specified. Method of shipment will be the most economical means available. Pumps are shipped F.O.B warehouse.
- Returns:** Material shipped as ordered may be returned only with our permission. A minimum 25% handling charge depending on resalability will apply.



ABBOTT RUBBER
COMPANY, INC.



1700 NICHOLAS BLVD. • ELK GROVE VILLAGE, IL 60007 • 800.852.1855
E-MAIL sales@abbottrubber.com • WEBSITE www.pumperhose.com

**'We Sell
The Good Stuff'**
Why buy anything else?

ABBOTT RUBBER
COMPANY, INC.

1700 NICHOLAS BLVD. • ELK GROVE VILLAGE, IL 60007 • 800.852.1855

E-MAIL sales@abbotrubber.com • WEBSITE www.pumperhose.com

